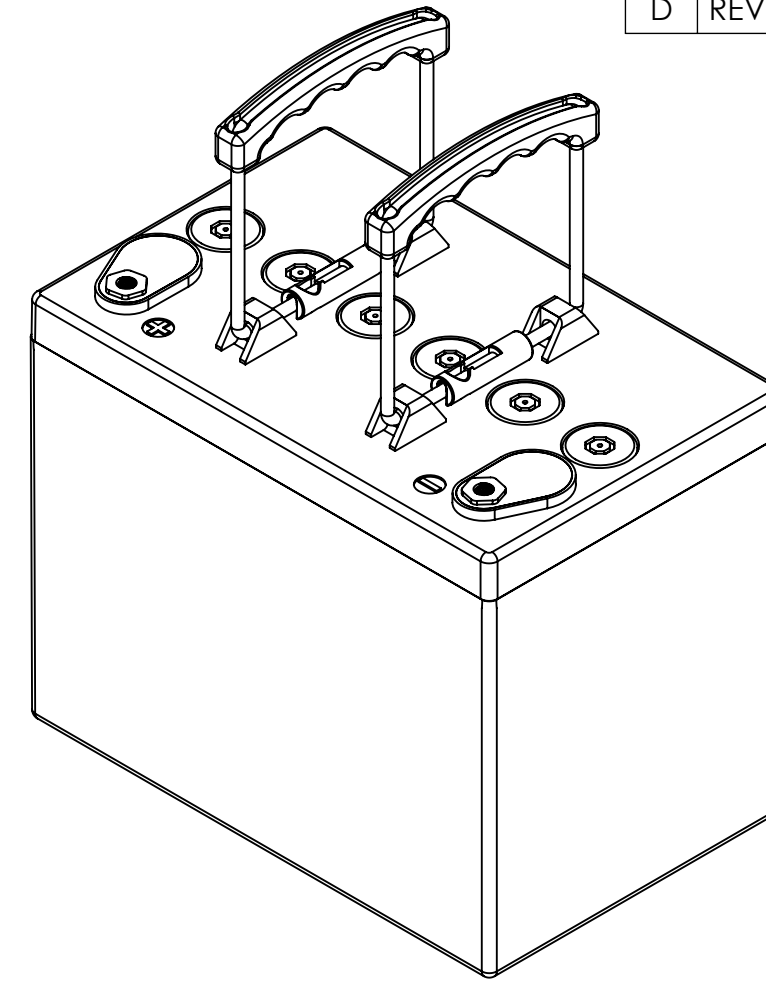
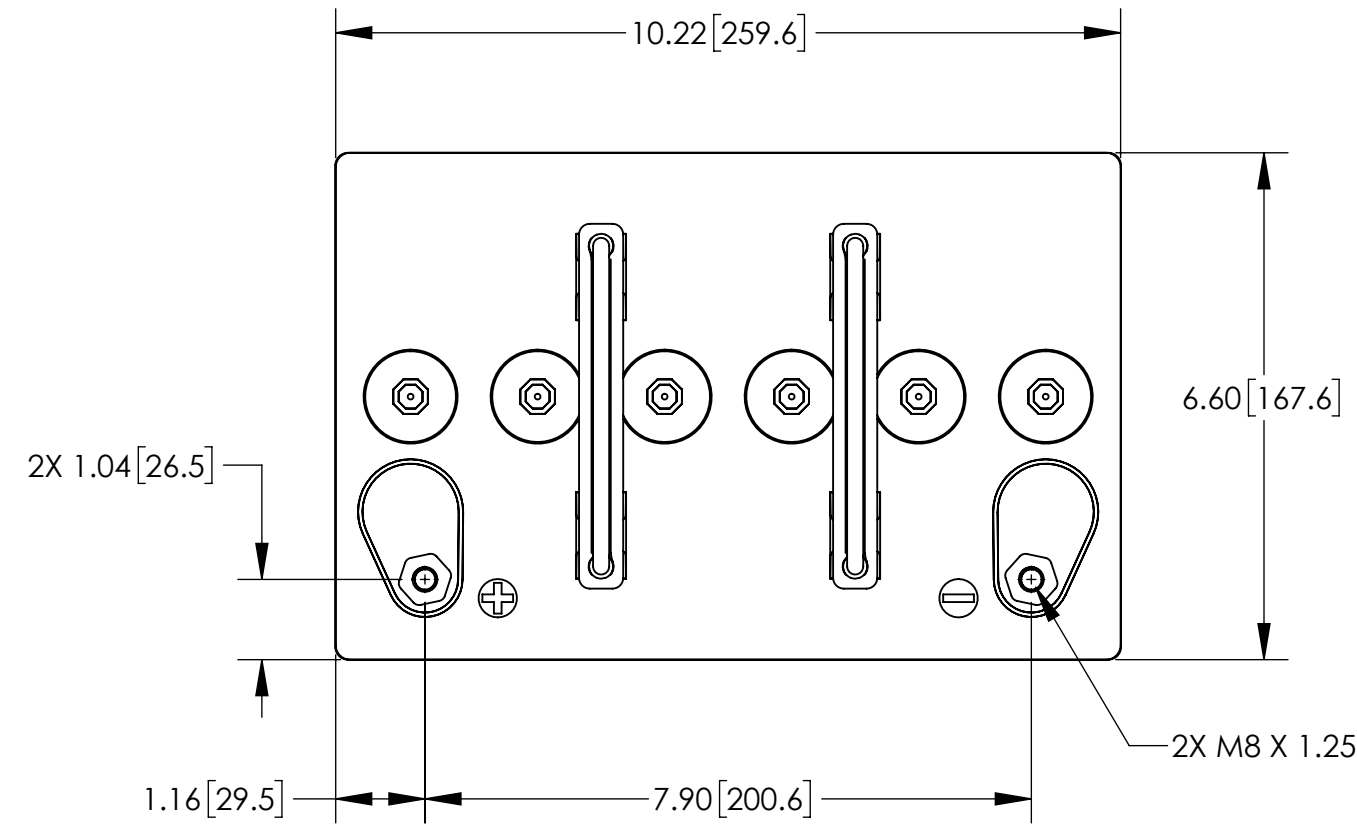


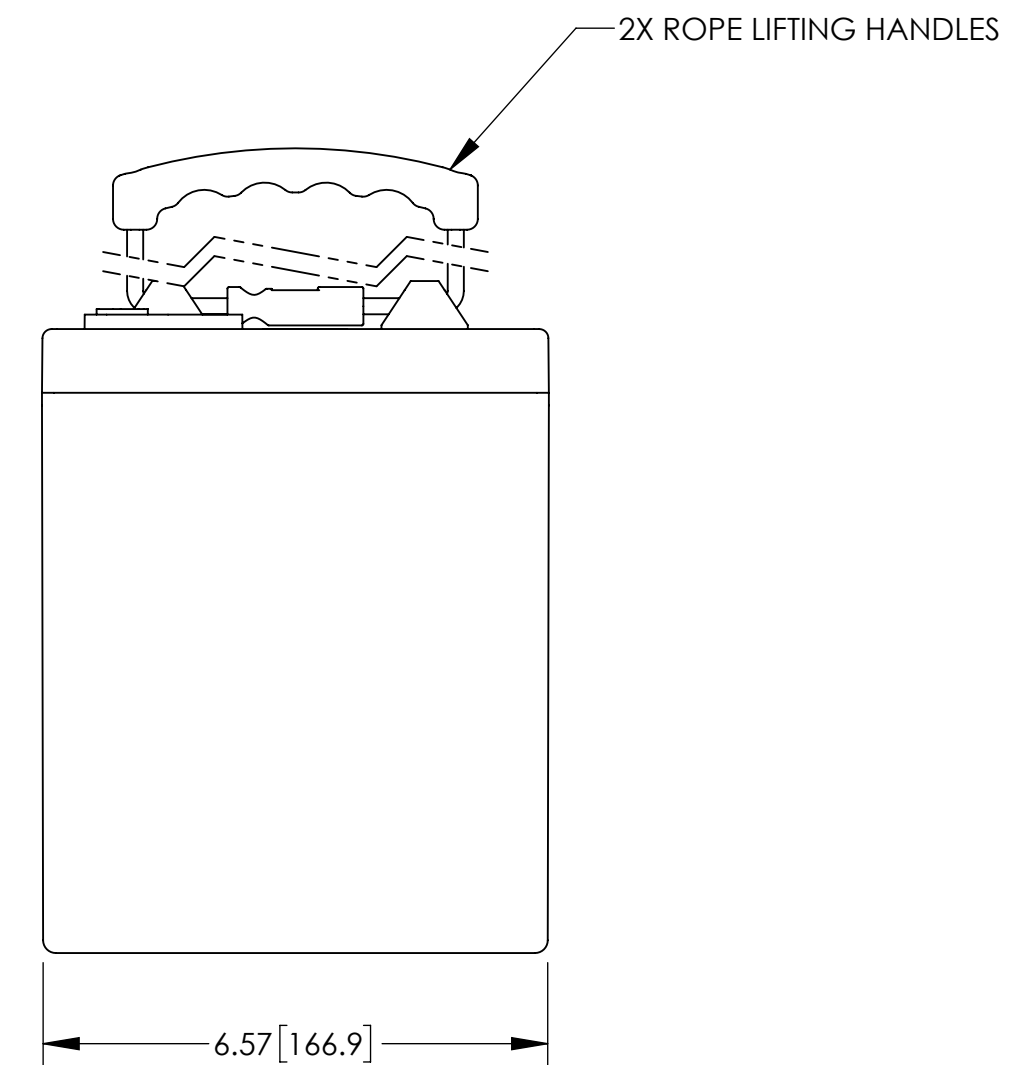
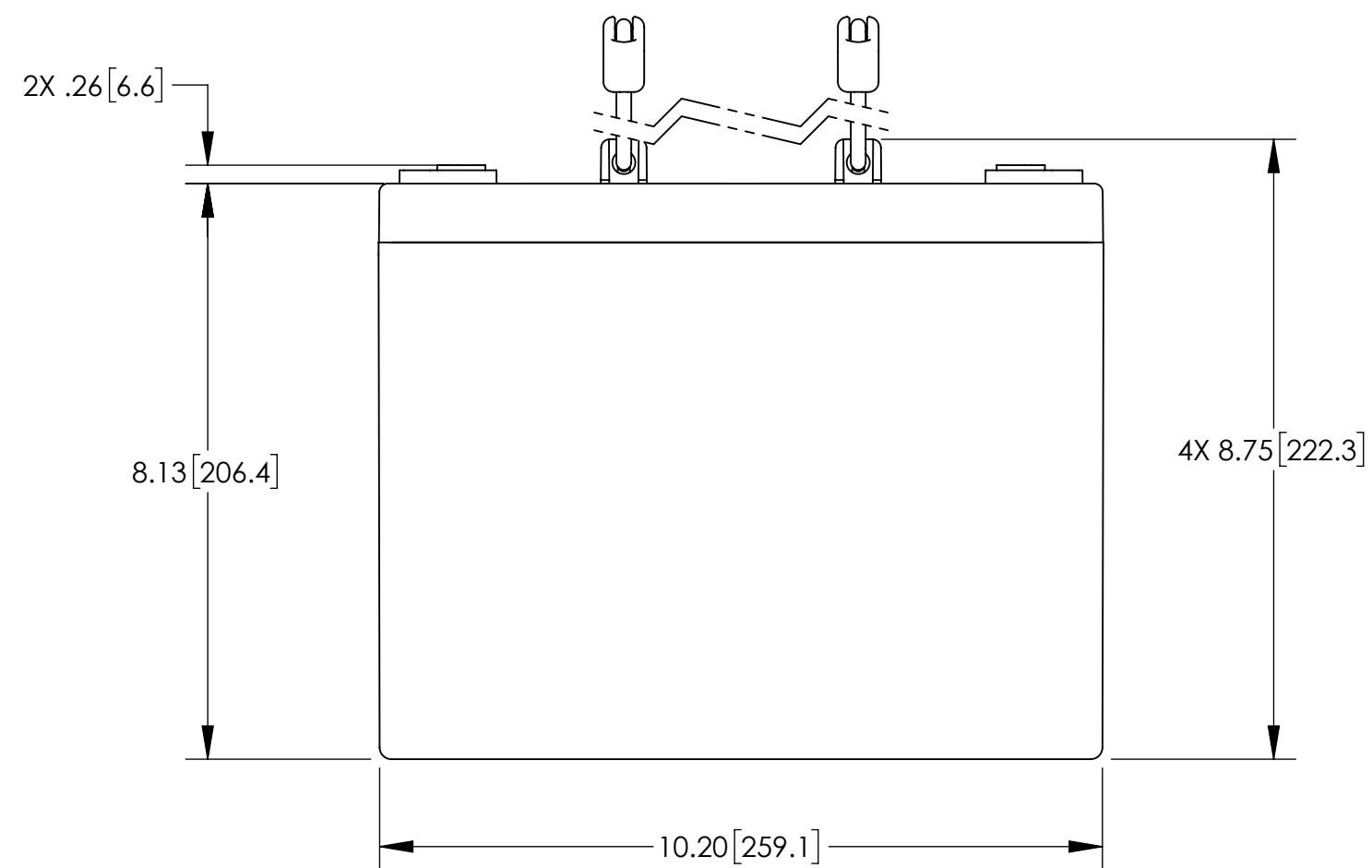
NOTES: UNLESS OTHERWISE SPECIFIED

1. SEE DRAWING NO. CB-00278 AND PROCEDURE P-1000 FOR ASSEMBLY AND TEST INSTRUCTION. PROCEDURES AND ASSEMBLY DRAWINGS ARE FOR INTERNAL USE ONLY.
2. ALL TESTING IS PERFORMED IAW BATTERY COUNCIL INTERNATIONAL STANDARDS.
3. DIMENSIONS ARE INCH [MILLIMETER].
4. ABBREVIATION USED IN TITLE IS: SEALED LEAD ACID (SLA).
5. TERMINAL HARDWARE KIT PROVIDED, PART NUMBER 6923.

| REVISIONS | | | |
|-----------|-------------------------------------|----------|----------|
| REV | DESCRIPTION | DATE | APPROVED |
| A | REVISED NOTE 1 | 8/29/16 | PH |
| B | REDESIGNED COVER | 6/26/18 | PH |
| C | STANDARDIZED ENVELOPE, ADDED NOTE 5 | 7/28/20 | PH |
| D | REVISED CONTAINER | 11/10/21 | PH |



ISOMETRIC VIEW



ENVELOPE DRAWING

| CAPACITY RATINGS | | |
|---|------------------|------------------|
| PART NUMBER | PVX-690T | PVX-840T |
| NOMINAL WEIGHT | 51 LBS [23.2 KG] | 57 LBS [25.9 KG] |
| AMPERE HOUR CAPACITY @ 24 HOUR 1.75 VOLTS/CELL @ 77°F (25°C) | 69 AH | 84 AH |

| | | | | | | | | |
|---|--------------------------|--------|--------------|--|---|--|---|-------|
| UNLESS OTHERWISE SPECIFIED DIMENSIONS ARE IN INCHES TOLERANCES ARE: | | | CONTRACT NO. | | CONCORDE BATTERY CORPORATION 2009 SAN BERNARDINO RD, W. COVINA, CA 91790 | | | |
| FRACTIONS | DECIMALS | ANGLES | APPROVALS | | DATE | | TITLE | |
| ±1/32 | .XX ± .12 .XXX ± .060 | ±1° | DRAWN ELH | | 8/13/01 | | BATTERY, SLA, 12 VOLT, PVX-840T SERIES | |
| TREATMENT | NONE | | CHECKED HRF | | 8/21/01 | | SIZE | REV |
| FINISH | NONE | | APPROVED JBT | | 8/23/01 | | CAGE CODE | D |
| SIMILAR TO | CALC WT | | ISSUED DH | | 11/17/21 | | DWG NO. | |
| | | | | | | | SCALE | 1:2.5 |
| | | | | | | | SHEET 1 OF 1 | |